

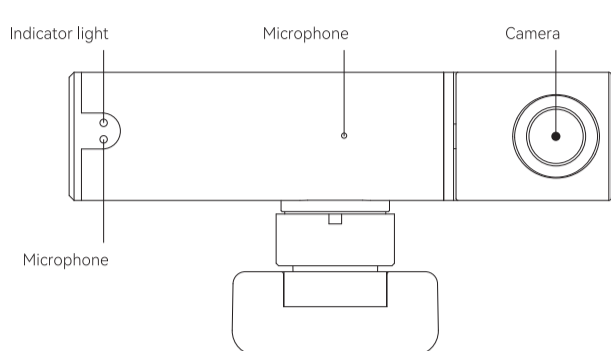


www.aicoco.com

Product Introduction

AI Streamcam Pro AC610

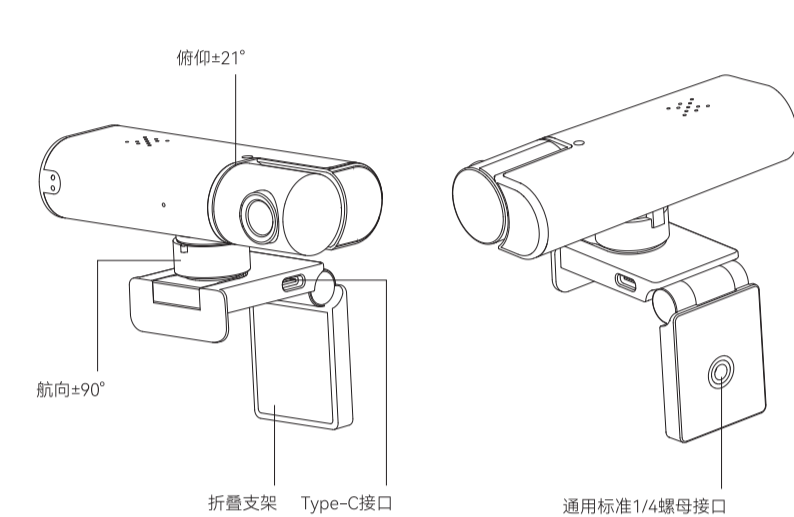
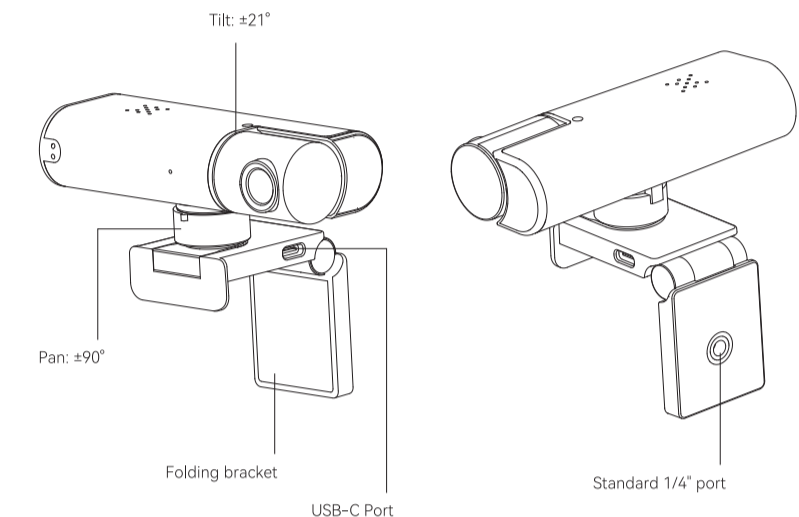
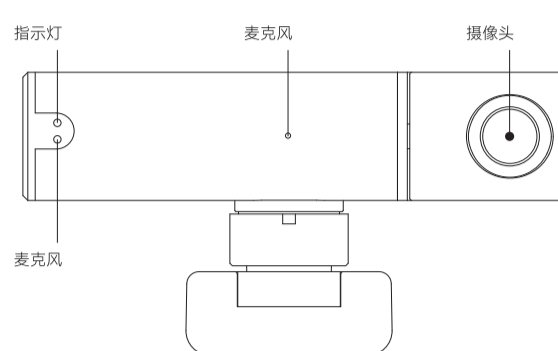
1. HD 2K picture output, up to 2560*1440@25fps, HD video
2. AI interaction, gesture control, human face recognition tracking, precision tracking, double brushless motors two-axis drive, 6-axis gyroscope shake control, and maximum control speed of 120°/s
3. Smart zoom can be achieved through gestures, and 2 levels can be adjusted automatically
4. Microphone algorithm noise reduction, built-in dual omnidirectional microphones
5. Type-C universal interface for wide compatibility
6. Standard USB drive free protocol, supports mainstream operating system, Plug and Play



产品介绍

AC610 智能跟拍直播摄像头

1. 超高清2K画质输出，最高达2560*1440@25fps，高清视频。
2. AI智能互动，手势控制，人脸人形识别追踪，精准追踪，双无刷电机两轴传动，6轴陀螺仪防抖，最大控制转速120°/s
3. 手势智能变焦2档自动调节
4. 麦克风算法降噪，内置双、全向性麦克风
5. Type-C通用接口，适配兼容性更广泛。
6. 标准的USB免驱协议，支持主流操作系统即插即用。



Use Guide

1 SETUP

Setup the camera on a computer or on a tripod.



使用方法

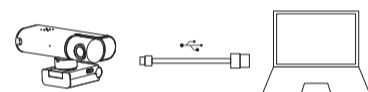
1 安装

将相机安装在电脑或三角架上。



2 CONNECT

Connect the camera to computer with the included USB cable. It will take a few seconds for the first time usage before attempting to access.



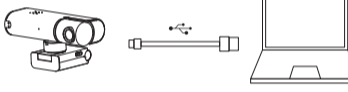
3 PLUG AND PLAY

Not need to install any Camera Application. Start your video call from your computer.



2 连接

将数据线连接摄像头和计算机，等待电脑缓冲几秒钟。



3 即插即用

不需要安装任何驱动。



Gesture Control

Gesture 1 "OK"

Start tracking

When the camera is turned on, make "gesture 1" and the camera starts tracking and shooting accurately.



Gesture 2 "L"

Zoom in and zoom out

Zoom in with "gesture 2" while filming, zoom in to the second level and do this gesture again, which means to begin zooming out.



Gesture 3 "Palm"

Stop tracking

Make "gesture 3" in the shooting state, and the camera stops tracking.

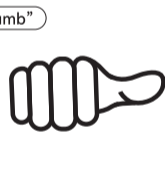
Make the gesture last for 5 seconds to remove the watermark.



Gesture 4 "Horizontal thumb"

Auto-framing mode

Make "gesture 4" to start /stop auto-framing mode



▲ Note: When making gestures, please be careful not to cover your face with your hands.

手势控制

手势1 "OK"

开始追踪

开机时对着摄像头做出“手势1”，摄像头便开始精准追踪拍摄。



手势2 "L"

放大缩小

拍摄状态下做出“手势2”便放大，放大到第2档之后，再做此手势是缩放。



手势3 "手掌"

暂停追踪

拍摄状态下做出“手势3”，摄像头暂停追踪。

手势持续3秒关闭/开启logo显示



手势4 "水平大拇指"

智能构图

拍摄状态下做出“手势4”，摄像头开始/停止智能构图。



▲ 注意：做手势时，请注意不要用手遮住脸。

Modes

● Tracking mode

1. Tracking Target: who makes the Gesture 1 "OK";
2. Camera tracks Target ONLY;
3. ONLY Target can stop the tracking;
4. Target lost, ANYONE can stop the tracking

● Auto-framing mode

Powerful intelligent algorithms automatically recognize single or multi-person scenes and reframe the view for optimum experience. It can help you record your video better.

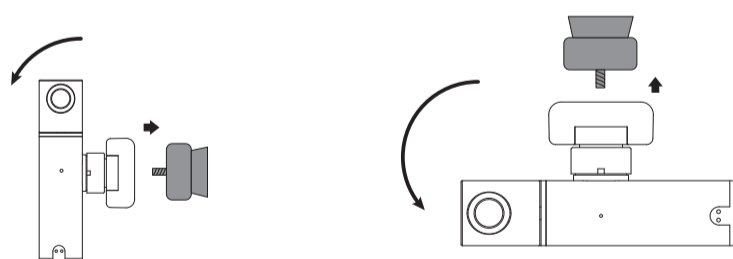
● Portrait mode

1. Make the camera rotate 90 degrees to the left (Aicoco logo image is on the front side) to activate Portrait Mode. A mini ball head mount is included in the box, user can attach it to their own tripod.
2. Landscape/Portrait Mode switching requires a few seconds to restart the camera to get activated.
3. Use gestures normally in the portrait mode.

Note: Auto-framing is locked in this mode

● Flip Mode

You can make it mount upside down on a tripod or other gear to activate the Flip Mode.



模式说明

● 追踪模式

1. 摄像头只追踪发起追踪的人(即追踪目标);
2. 只有追踪目标能停止追踪;
3. 目标丢失，任何人都能停止追踪

● 智能构图模式

强大的智能算法可自动识别单人或者多人场景，将人物大小调整到画面的最佳尺寸，帮助你更好的记录。

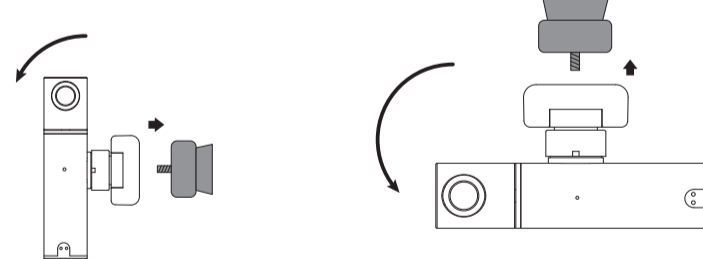
● 竖拍模式

1. 将摄像头向左旋转90度 (Aicoco 图标为正面)，从而激活竖拍模式。盒子内配有迷你球头转接，使用者可将它安装到他们的三角架上。
2. 水平模式或者竖拍模式的切换需要几秒钟的时间来重新启动相机，以获得激活。
3. 在竖拍模式中正常使用手势。

● 倒装模式

你可以让它倒挂在三角架或其他装备上，以激活倒装模式。

注：该模式下无法实现智能构图。



Indicator Status

Device Status	Indicator Status
Standby	Off
Streaming	Solid white
Landscape/Portrait Mode Switching	Flashing white 3 times
Tracking mode	Solid green

Device Status	Indicator Status
Tracking mode, target lost	Flashing green
Auto-framing	Solid blue
Auto-framing, target lost	Flashing blue
Error	Solid red

指示灯状态

设备状态	指示灯状态
正常待机	灯灭
视频开启	白灯长亮
水平/竖拍模式开启	白灯闪烁3次
追踪模式	绿灯长亮

设备状态	指示灯状态
追踪模式，目标丢失	绿灯闪烁
智能构图	蓝灯长亮
智能构图，目标丢失	蓝灯闪烁
报错	红灯长亮

Product Parameters

Brand	AICOCO
Included	AI Streamcam Pro AC610, 1.5m USB-C to A cable, Privacy cover, Mini ball head mount
Gyroscope	6 axis gyroscope
Brushless motor	Maximum control speed 120°/s
Rotation angle	Portrait mode: Pan: ±21°, Tilt: ±90°; Landscape mode: Tilt: ±21°, Pan: ±90°
Microphone	Built-in dual omnidirectional microphones, mic range up to 3 meters
Interface	USB-C 2.0 port
Resolution	2560x1440, 1920x1080, 1280x720, 1024x576, 960x540, 800x600, 640x360, 480x360, 352x288, 160x120
System	windows 7, windows 8, windows 10, or above, Ubuntu, macOS, Android9.0, or above
Drive	UVC and UAC

产品参数

品牌	AICOCO
配件	智能跟拍直播摄像头 AC610、1.5m 数据线、物理隐私盖、迷你球头转接
陀螺仪	6 轴陀螺仪
无刷电机	电机最大控制转速 120°/s
角度	竖拍模式下：水平旋转角度：±21°，俯仰角度：±90°；水平模式下：水平旋转角度：±90°，俯仰角度：±21°
麦克风	内置双全向麦克风，最大拾音范围 3 米
数据接口	USB-C 2.0 接口
分辨率	2560x1440, 1920x1080, 1280x720, 1024x576, 960x540, 800x600, 640x360, 480x360, 352x288, 160x120
系统	windows 7, windows 8, windows 10, 或以上, Ubuntu, macOS, Android9.0, 或以上
驱动	UVC and UAC

Disclaimer

Please read this Disclaimer carefully. Using this product means that you acknowledge and accept the terms of this disclaimer. By using this product, you hereby acknowledge and agree that you are solely responsible for your own conduct when using this product and any consequences thereof. You agree to use this product only for proper and lawful purposes. You understand and agree that Chuan xin Ying chuang (Shenzhen) Technology Co., Ltd. (hereinafter referred to as "Aicoco") accepts no liability for any and all misuses, consequences, damages, injuries, penalties, or any other legal responsibility directly or indirectly incurred by your using this product and associated accessories. Before every use, make sure that your accessories are functioning properly. If there's any damage or irregularity, stop using them immediately. Within the scope of state laws and regulations, Aicoco reserves the right of final explanation and the commitment.

Warranty

Committed to providing best product and service, Aicoco provides one-year warranty (replacement of shell, product appearance, accessories and faulty products caused by non-artificial damage).

Email: service@aicoco.com
Official Web: www.aicoco.com

免责声明

请仔细阅读本声明，一旦使用本产品，即视为对本声明的全部认可和接受。每次使用前，请仔细检查产品，若出现破损、变形，请勿使用。使用本产品，就意味着您认可并同意，您将对本产品的行为和可能产生的后果负全部责任。您承诺仅出于正当合法的目的使用本产品。您理解并同意，对于直接或间接因使用本产品而造成的滥用、不利影响、损害、伤害、惩罚或者其他法律后果，传影创(深圳)技术有限公司(以下简称"Aicoco")将不承担任何责任。用户应谨慎包括但不限于本文提及的使用注意事项。在国家法律法规范围内，本承诺解释权、修改权归 Aicoco 所有。

售后服务

自您最初零售购入之日起，本产品的保修期为1年。(更换外壳、产品外观、配件和非人为损坏的故障产品)。
邮箱: service@aicoco.com
官网: www.aicoco.com